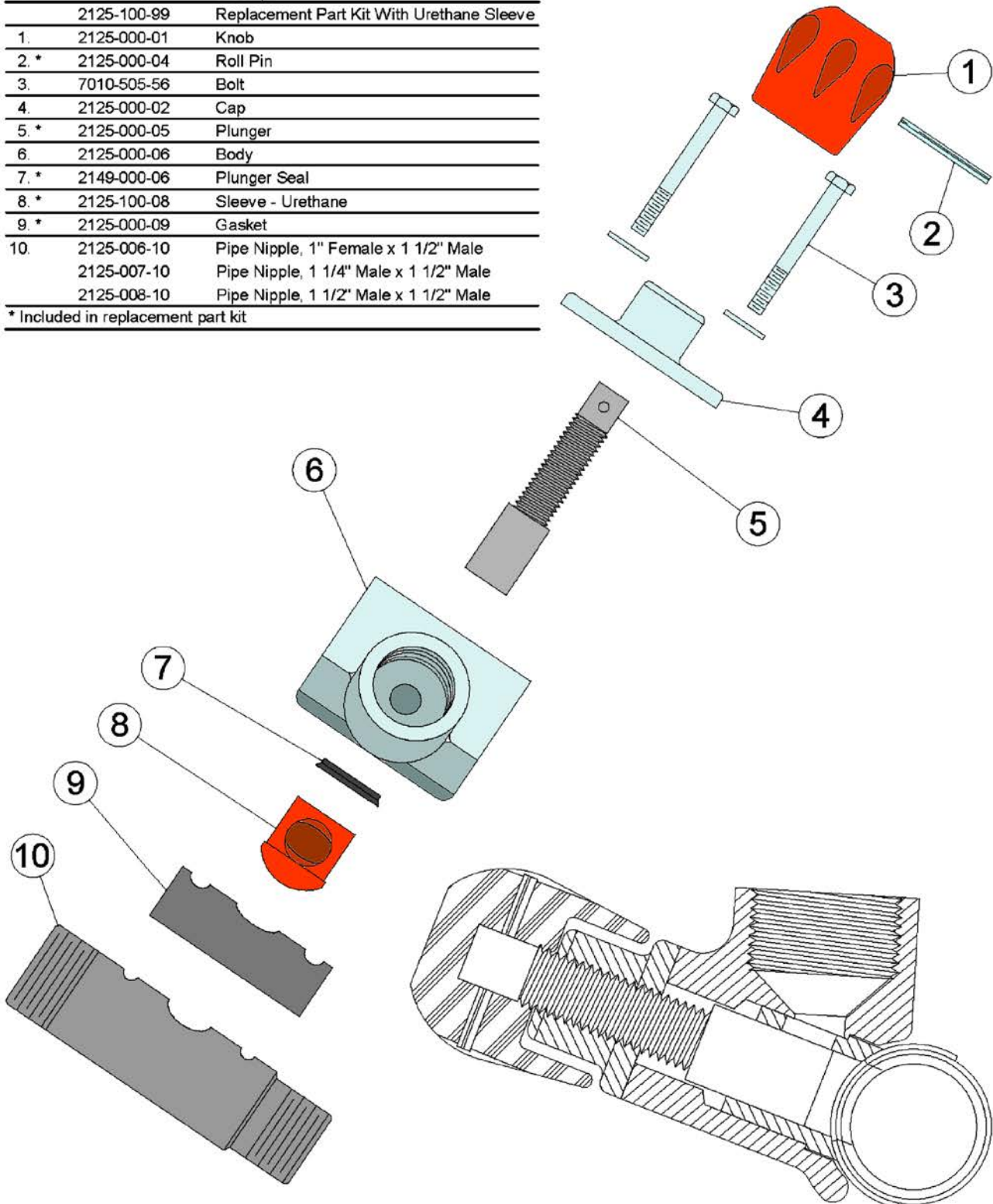


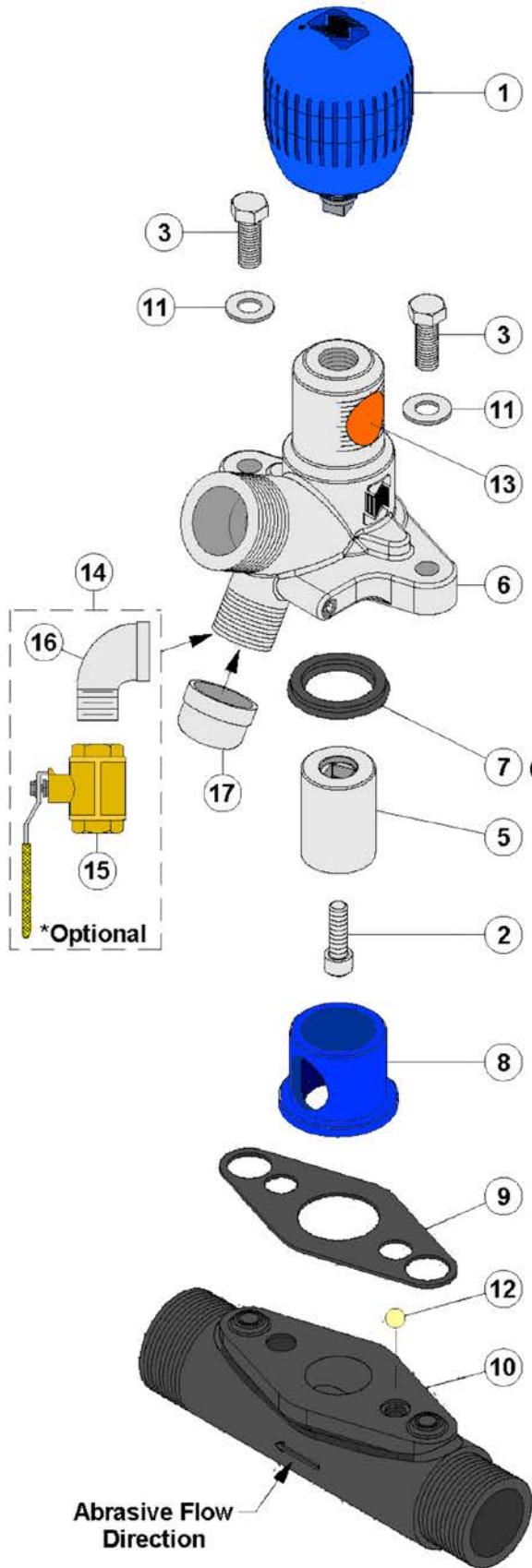
9.4 Micro Valve

	2125-106	1" Micro Valve with Urethane Sleeve
	2125-107	1 1/4" Micro Valve with Urethane Sleeve
	2125-108	1 1/2" Micro Valve with Urethane Sleeve
No.	Part No.	Description
	2125-100-99	Replacement Part Kit With Urethane Sleeve
1.	2125-000-01	Knob
2. *	2125-000-04	Roll Pin
3.	7010-505-56	Bolt
4.	2125-000-02	Cap
5. *	2125-000-05	Plunger
6.	2125-000-06	Body
7. *	2149-000-06	Plunger Seal
8. *	2125-100-08	Sleeve - Urethane
9. *	2125-000-09	Gasket
10.	2125-006-10	Pipe Nipple, 1" Female x 1 1/2" Male
	2125-007-10	Pipe Nipple, 1 1/4" Male x 1 1/2" Male
	2125-008-10	Pipe Nipple, 1 1/2" Male x 1 1/2" Male

* Included in replacement part kit

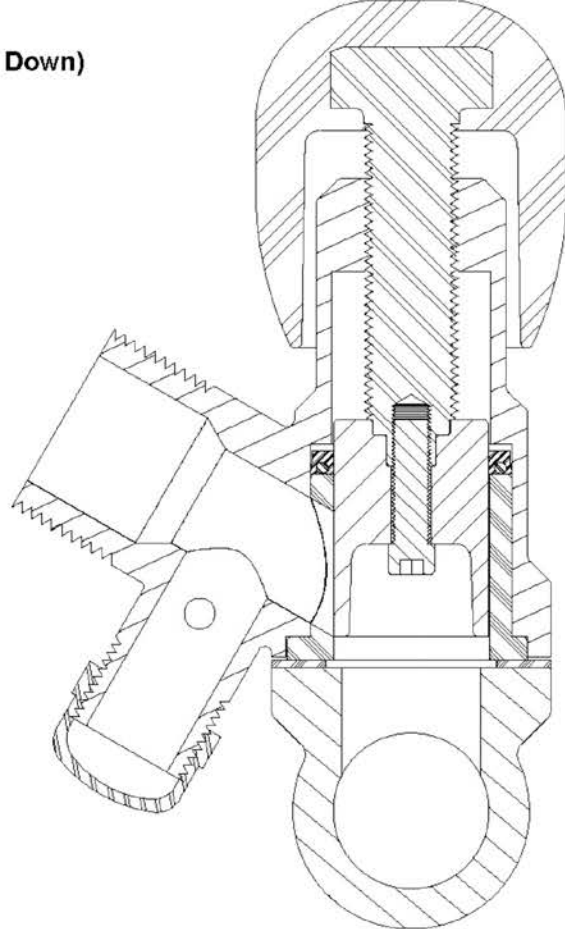


9.5(a) MV2 Valve

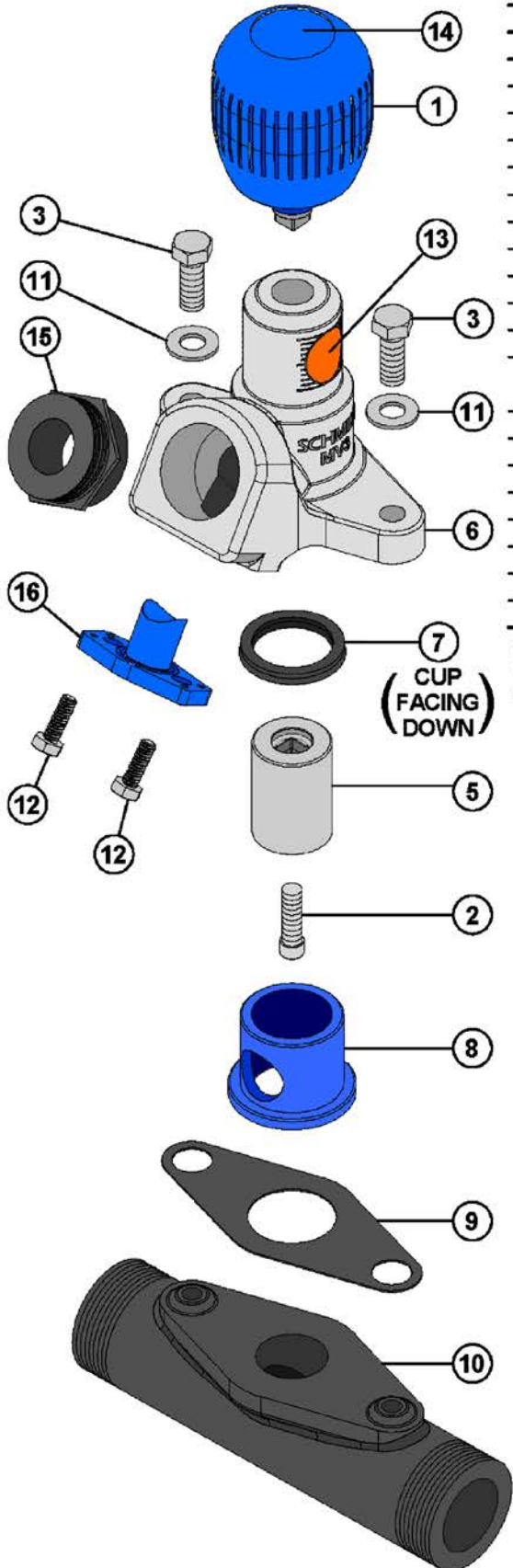


No.	Part No.	Description
	2127-107	MV2 Valve Assembly, Urethane 1-1/4" & 1"
	2127-108	MV2 Valve Assembly, Urethane 1-1/2"
	2127-100-98	Replacement Parts Kit, Seals Only
	2127-100-99	Replacement Parts Kit
1.	2127-000-01	Knob
2.*	7011-005-06O	Socket Head Cap Screw, 5/16" x 1" Self Sealing
3.	7010-507-06	Hex Bolt, 3/8" x 1" Lg.
5.*	2127-000-05	Plunger
6.	2127-000-06	Body
7.*+	2149-500-06	Plunger Seal
8.*+	2127-100-08	Polyurethane Sleeve
9.*+	2127-000-15	Gasket
10.	2127-007-10	Base, 1 1/4"
	2127-008-10	Base, 1 1/2"
11.	7027-503-02	Flat Washer, 3/8"
12.*+	2127-000-12	Ball
13.	2127-000-13	Orifice Indicator Decal
14.	2127-000-14	Cleanout Ball Valve Adder
15.	2401-505	Ball Valve, 3/4" Full Port
16.	3006-105	Street Elbow 90°, 3/4" Galv.
17.	3037-105	Pipe Cap, 3/4" Galv.
		* Included In Replacement Parts Kit
		+ Included In Replacement Parts Kit, Seals Only

Notes:
 (1) An 1-1/4" MV2 with a reducing elbow is used in 1" piping systems.
 (2) Hex bolts (item 3) should be torqued to 30-35 ft.-lbs.



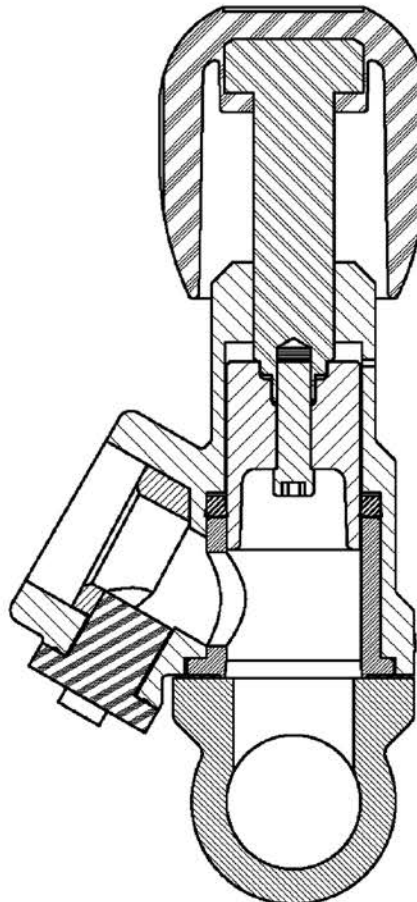
9.5(b) MV3 Valve



No.	Part No.	Description
	2128-107	MV3 Valve Assembly, Urethane 1-1/4" & 1"
	2128-108	MV3 Valve Assembly, Urethane 1-1/2"
	2128-100-98	Replacement Parts Kit, Seals Only
	2128-100-99	Replacement Parts Kit
1.	2128-000-01	Knob
2.*	7011-005-06O	Socket Head Cap Screw, 5/16" x 1" Lg.
3.	7010-507-06	Hex Bolt, 3/8" x 1" Lg.
5.*	2127-000-05	Plunger
6.	2128-000-06	Body
7.*+2149-500-06		Plunger Seal
8.*+2128-100-08		Polyurethane Sleeve
9.*+2128-000-15		Gasket
10.	2128-007-10	Base, 1 1/4"
	2128-008-10	Base, 1 1/2"
11.	7027-503-02	Flat Washer, 3/8"
12.	7010-503-04	Hex Bolt, 1/4" x 1/2" Lg.
13.	2128-000-13	Orifice Indicator Decal
14.	2128-000-16	Knob Decal
15.	2125-000-20	Media Inlet Nipple
16.	2128-000-18	Cleanout Plug
		* Included In Replacement Parts Kit
		+ Included In Replacement Parts Kit, Seals Only

Notes:

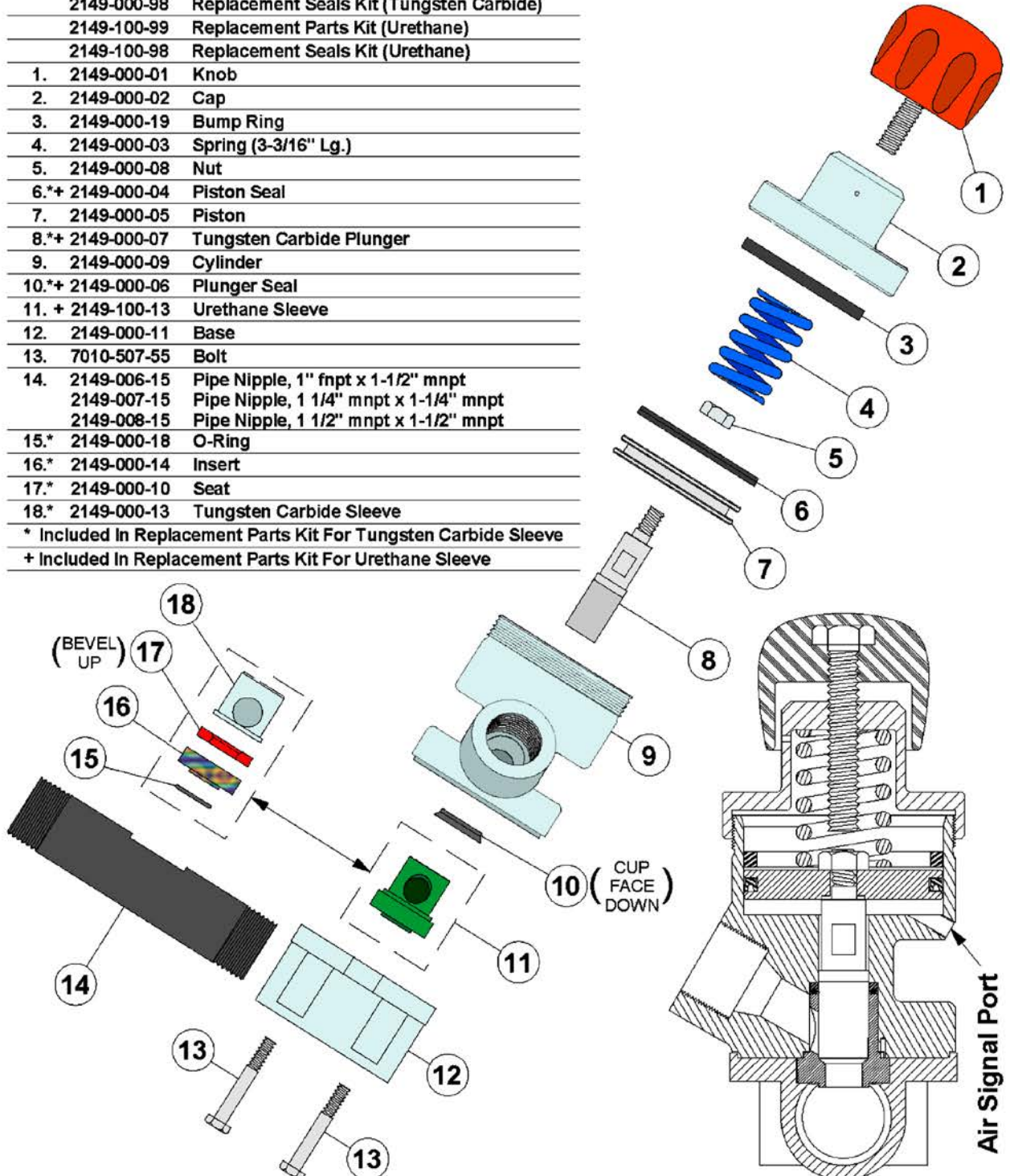
- 1) An 1-1/4" MV3 with a reducing elbow is used in 1" piping systems.
- 2) Hex bolts (item 3) should be torqued to 30-35 ft.-lbs.



9.4(a) Thompson Valve®

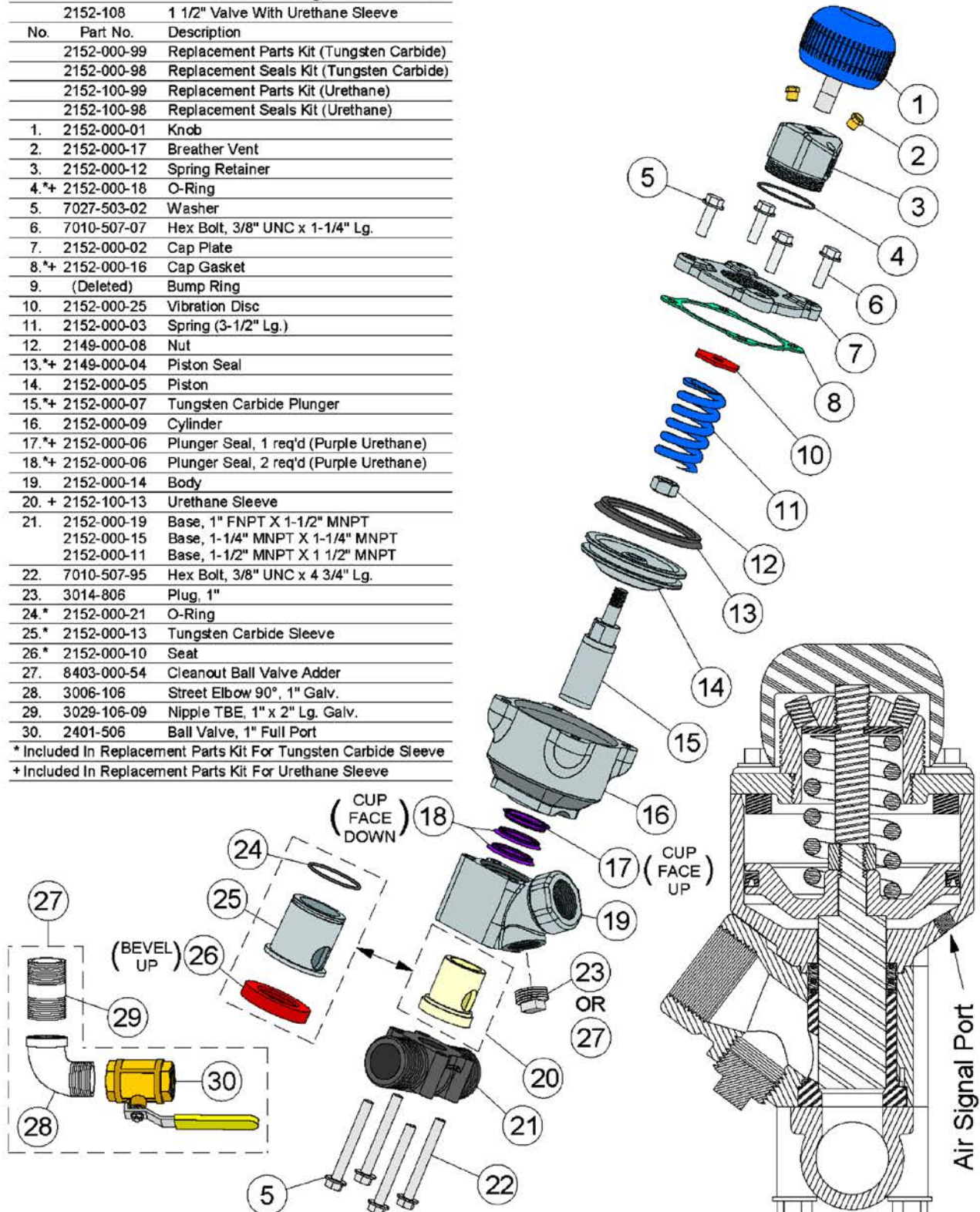
	2149-006	1" Valve With Tungsten Carbide Sleeve
	2149-106	1" Valve With Urethane Sleeve
	2149-007	1 1/4" Valve With Tungsten Carbide Sleeve
	2149-107	1 1/4" Valve With Urethane Sleeve
	2149-008	1 1/2" Valve With Tungsten Carbide Sleeve
	2149-108	1 1/2" Valve With Urethane Sleeve
No.	Part No.	Description
	2149-000-99	Replacement Parts Kit (Tungsten Carbide)
	2149-000-98	Replacement Seals Kit (Tungsten Carbide)
	2149-100-99	Replacement Parts Kit (Urethane)
	2149-100-98	Replacement Seals Kit (Urethane)
1.	2149-000-01	Knob
2.	2149-000-02	Cap
3.	2149-000-19	Bump Ring
4.	2149-000-03	Spring (3-3/16" Lg.)
5.	2149-000-08	Nut
6.*	2149-000-04	Piston Seal
7.	2149-000-05	Piston
8.*	2149-000-07	Tungsten Carbide Plunger
9.	2149-000-09	Cylinder
10.*	2149-000-06	Plunger Seal
11. +	2149-100-13	Urethane Sleeve
12.	2149-000-11	Base
13.	7010-507-55	Bolt
14.	2149-006-15	Pipe Nipple, 1" fnpt x 1-1/2" mnpt
	2149-007-15	Pipe Nipple, 1 1/4" mnpt x 1-1/4" mnpt
	2149-008-15	Pipe Nipple, 1 1/2" mnpt x 1-1/2" mnpt
15.*	2149-000-18	O-Ring
16.*	2149-000-14	Insert
17.*	2149-000-10	Seat
18.*	2149-000-13	Tungsten Carbide Sleeve

* Included In Replacement Parts Kit For Tungsten Carbide Sleeve
+ Included In Replacement Parts Kit For Urethane Sleeve

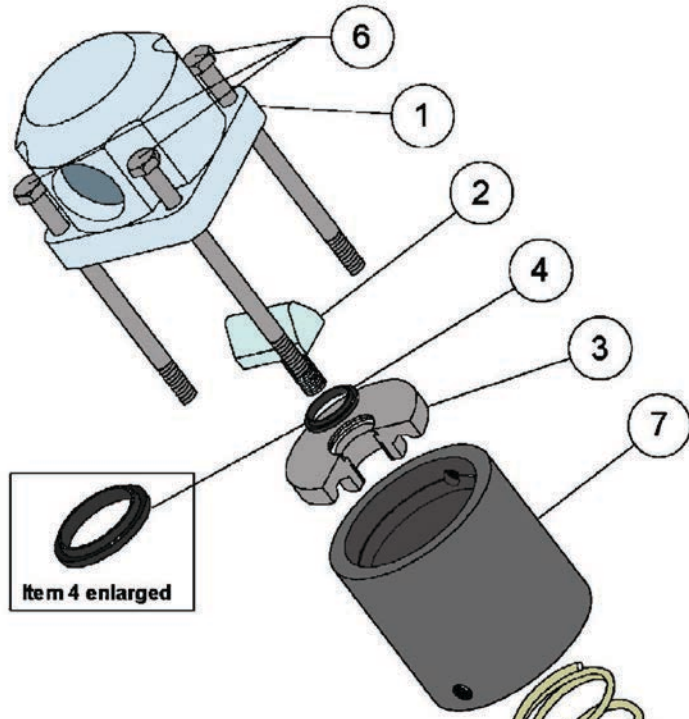


9.4(b) Thompson Valve® II

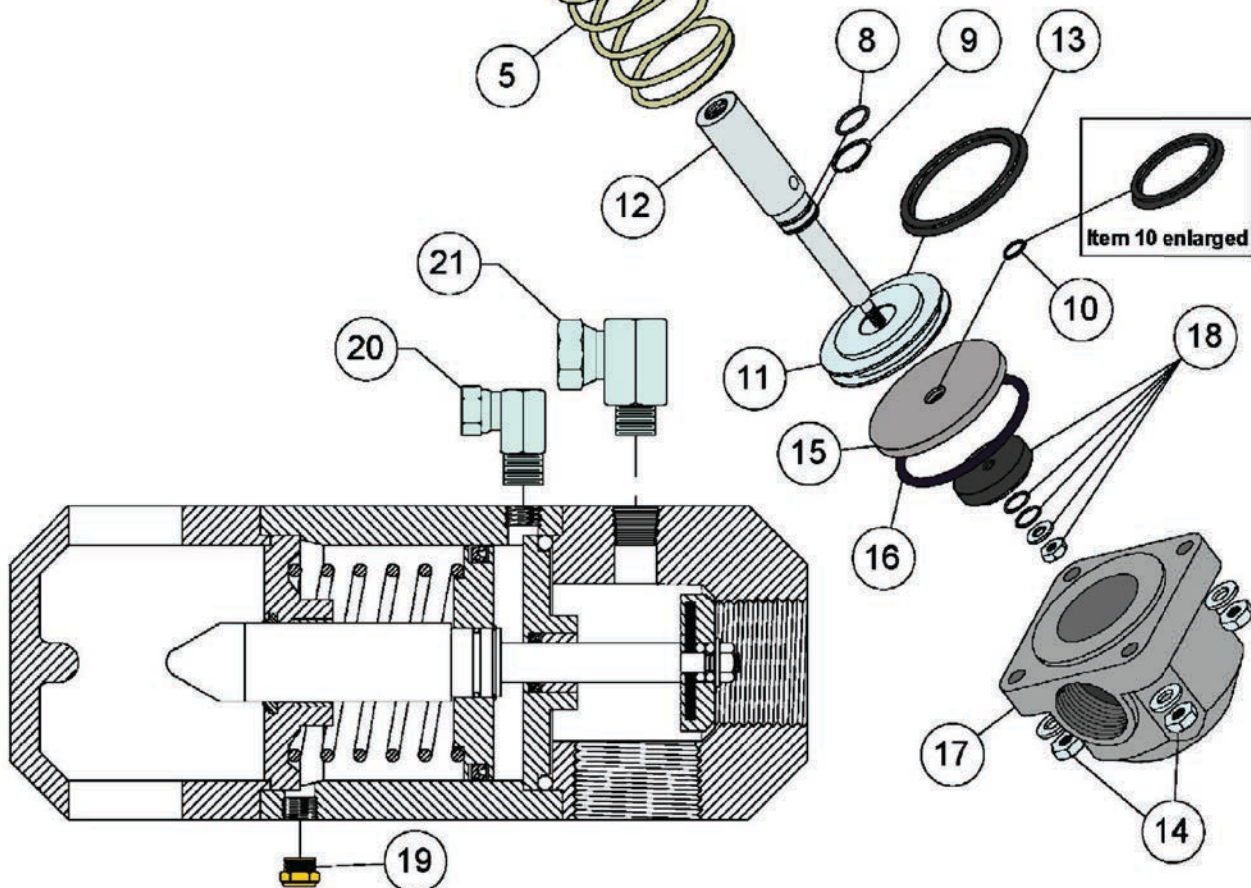
	2152-006	1" Valve With Tungsten Carbide Sleeve
	2152-106	1" Valve With Urethane Sleeve
	2152-007	1 1/4" Valve With Tungsten Carbide Sleeve
	2152-107	1 1/4" Valve With Urethane Sleeve
	2152-008	1 1/2" Valve With Tungsten Carbide Sleeve
	2152-108	1 1/2" Valve With Urethane Sleeve
No.	Part No.	Description
	2152-000-99	Replacement Parts Kit (Tungsten Carbide)
	2152-000-98	Replacement Seals Kit (Tungsten Carbide)
	2152-100-99	Replacement Parts Kit (Urethane)
	2152-100-98	Replacement Seals Kit (Urethane)
1.	2152-000-01	Knob
2.	2152-000-17	Breather Vent
3.	2152-000-12	Spring Retainer
4.*+	2152-000-18	O-Ring
5.	7027-503-02	Washer
6.	7010-507-07	Hex Bolt, 3/8" UNC x 1-1/4" Lg.
7.	2152-000-02	Cap Plate
8.*+	2152-000-16	Cap Gasket
9.	(Deleted)	Bump Ring
10.	2152-000-25	Vibration Disc
11.	2152-000-03	Spring (3-1/2" Lg.)
12.	2149-000-08	Nut
13.*+	2149-000-04	Piston Seal
14.	2152-000-05	Piston
15.*+	2152-000-07	Tungsten Carbide Plunger
16.	2152-000-09	Cylinder
17.*+	2152-000-06	Plunger Seal, 1 req'd (Purple Urethane)
18.*+	2152-000-06	Plunger Seal, 2 req'd (Purple Urethane)
19.	2152-000-14	Body
20. +	2152-100-13	Urethane Sleeve
21.	2152-000-19	Base, 1" FNPT X 1-1/2" MNPT
	2152-000-15	Base, 1-1/4" MNPT X 1-1/4" MNPT
	2152-000-11	Base, 1-1/2" MNPT X 1 1/2" MNPT
22.	7010-507-95	Hex Bolt, 3/8" UNC x 4 3/4" Lg.
23.	3014-806	Plug, 1"
24.*	2152-000-21	O-Ring
25.*	2152-000-13	Tungsten Carbide Sleeve
26.*	2152-000-10	Seat
27.	8403-000-54	Cleanout Ball Valve Adder
28.	3006-106	Street Elbow 90°, 1" Galv.
29.	3029-106-09	Nipple TBE, 1" x 2" Lg. Galv.
30.	2401-506	Ball Valve, 1" Full Port
* Included In Replacement Parts Kit For Tungsten Carbide Sleeve		
+ Included In Replacement Parts Kit For Urethane Sleeve		



9.6 COMBOVALVE®



2223-000		Combovalve
No.	Part No.	Description
2223-000-99 Replacement Part Kit		
1.	2223-000-01	Cap
2.	2223-000-02	Pinch Ram
3.	2223-000-03	Upper Rod Guide
4.*	2223-000-04	Seal (Upper Rod)
5.	2223-000-05	Spring
6.	7010-507-15	Bolt, 3/8" x 6"
7.	2223-000-07	Cylinder
8.*	2223-000-08	O-ring (Shaft)
9.*	2223-000-09	Snap Ring
10.*	2223-000-10	Seal (Lower Rod)
11.	2223-000-11	Piston
12.	2223-000-12	Shaft
13.*	2223-000-13	Piston Seal
14.	7017-507-01	Nut, 3/8"
15.	2223-000-15	Lower Rod Guide
16.*	2223-000-16	O-ring (Lower Rod Guide)
17.	2223-000-17	Base
18.*+	2223-000-18	Valve Plug Assembly
19.	2014-300	Vent, 1/8"
20.	4203-500-00	90° Swivel, 1/8" x 1/8"
21.	4203-502-02	90° Swivel, 1/4" x 1/4"
* Included in replacement part kit		
+ Includes plug, (2)o-rings, washer and nut		



9.5 Automatic Air Valve

2123-106 1" Valve		
No.	Part No.	Description
	2123-006-99	Replacement Parts Kit
1.*	2123-007-20	Gasket
2.*	2123-006-02	Diaphragm
3.*	2123-006-03	O-ring
4.	2123-006-04	Retainer Bushing
5.*	2123-007-05	O-ring
6.	2123-006-06	Disk Retainer
7.*	2123-006-07	O-ring
8.	2123-006-08	Seat
9.	2123-006-09	Disc Plate
10.	"Deleted"	Lock Washer, Internal
11.*	7082-504	Lock Nut
12.	2123-106-12	Cap
13.*	2123-006-13	Lock Nut
14.	7010-503-06	Cap Screw
15.	2123-006-15	Diaphragm Plate
17.	7082-503	Lock Nut
18.	2123-006-18	Body, 1"
19.	2123-006-19	Shaft
20.*	2123-007-20	Gasket
21.*	2123-006-21	Disc
22.*	2123-106-22	O-ring
23.	2123-106-23	Spring Retainer
24.	2123-106-24	Spring
25.	2014-300	Vent, 1/8"
26.*	2123-007-20	Gasket

* Included In Replacement Parts Kit

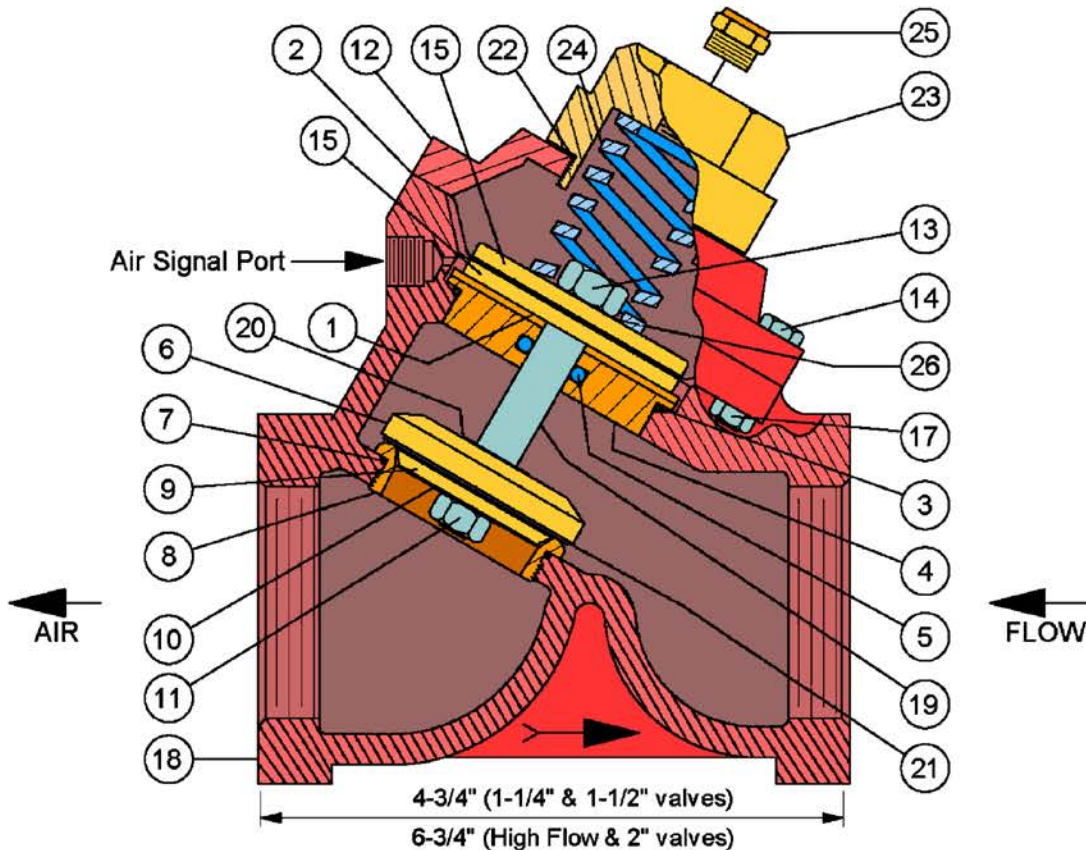
2123-107 1 1/4" Valve		
No.	Part No.	Description
	2123-007-99	Replacement Parts Kit
1.*	2123-009-01	Gasket
2.*	2123-007-02	Diaphragm
3.*	2123-007-03	O-ring
4.	2123-007-04	Retainer Bushing
5.*	2123-007-05	O-ring
6.	2123-007-06	Disk Retainer
7.*	2123-007-07	O-ring
8.	2123-007-08	Seat
9.	2123-007-09	Disc Plate
10.	"Deleted"	Lock Washer, Internal
11.*	7082-504	Lock Nut
12.	2123-107-12	Cap
13.*	7082-506	Lock Nut
14.	7010-503-07	Cap Screw
15.	2123-007-15	Diaphragm Plate
17.	7082-503	Lock Nut
18.	2123-007-18	Body, 1 1/4"
	2123-008-18	Body, 1 1/2"
19.	2123-007-19	Shaft
20.*	2123-007-20	Gasket
21.*	2123-007-21	Disc
22.*	2123-107-22	O-ring
23.	2123-107-23	Spring Retainer
24.	2123-107-24	Spring
25.	2014-300	Vent, 1/8"
26.*	2123-009-01	Gasket

* Included In Replacement Parts Kit

** 2123-108L 1-1/2" High Flow Valve		
No.	Part No.	Description
	2123-109	2" Valve
	2123-009-99	Replacement Parts Kit
1.*	2123-009-01	Gasket
2.*	2123-009-02	Diaphragm
3.*	2123-009-03	O-ring
4.	2123-009-04	Retainer Bushing
5.*	2123-009-05	O-ring
6.	2123-009-06	Disk Retainer
7.*	2123-009-07	O-ring
8.	2123-009-08	Seat
9.	2123-007-15	Disc Plate
10.	"Deleted"	Lock Washer, Internal
11.*	7082-506	Lock Nut
12.	2123-109-12	Cap
13.*	7082-506	Lock Nut
14.	7010-505-07	Cap Screw
15.	2123-009-15	Diaphragm Plate
17.	7082-505	Hex Nut
18.	2123-009-27	Body, 1-1/2" high flow
	2123-009-18	Body, 2"
19.	2123-009-19	Shaft
20.*	2123-009-01	Gasket
21.*	2123-009-21	Disc
22.*	2123-107-22	O-ring
23.	2123-109-23	Spring Retainer
24.	2123-109-24	Spring
25.	2014-300	Vent, 1/8"
26.*	2123-009-28	Washer

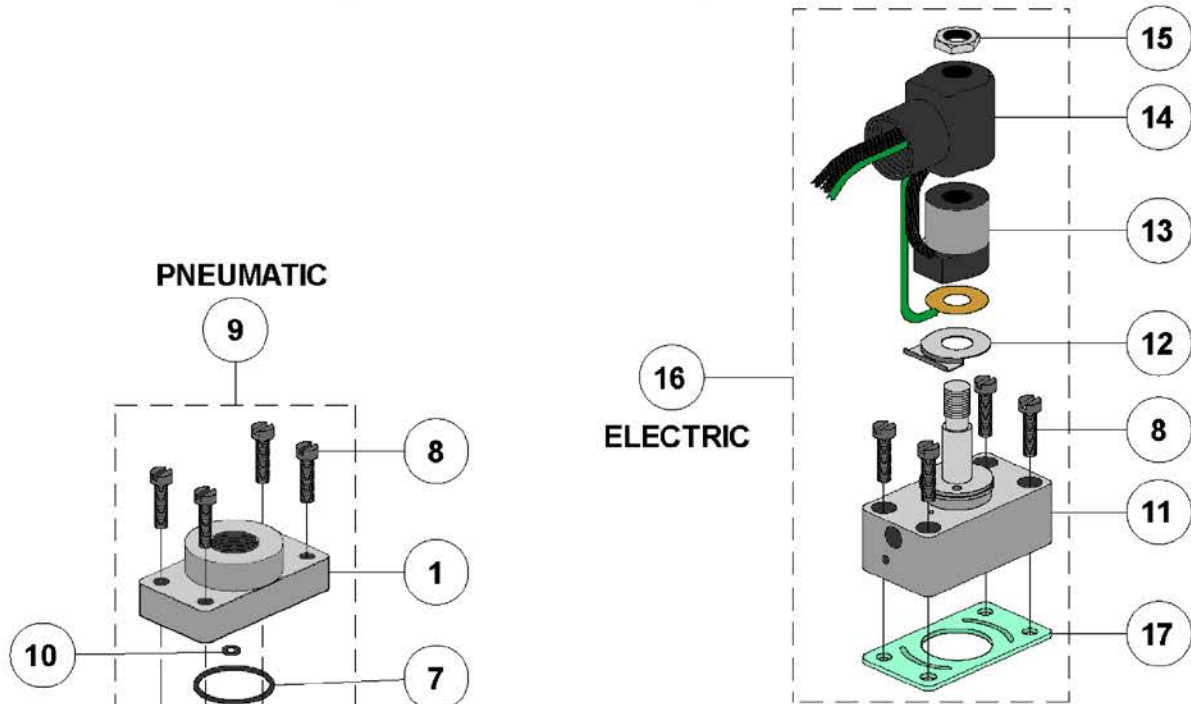
* Included In Replacement Parts Kit

** 1-1/2" High Flow Valve is Standard On Units Manufactured After July 1, 2008



NOTE: With spring closed valve air flow is in opposite direction from arrow on valve body.

9.7 Control Valves (pneumatic and electric)

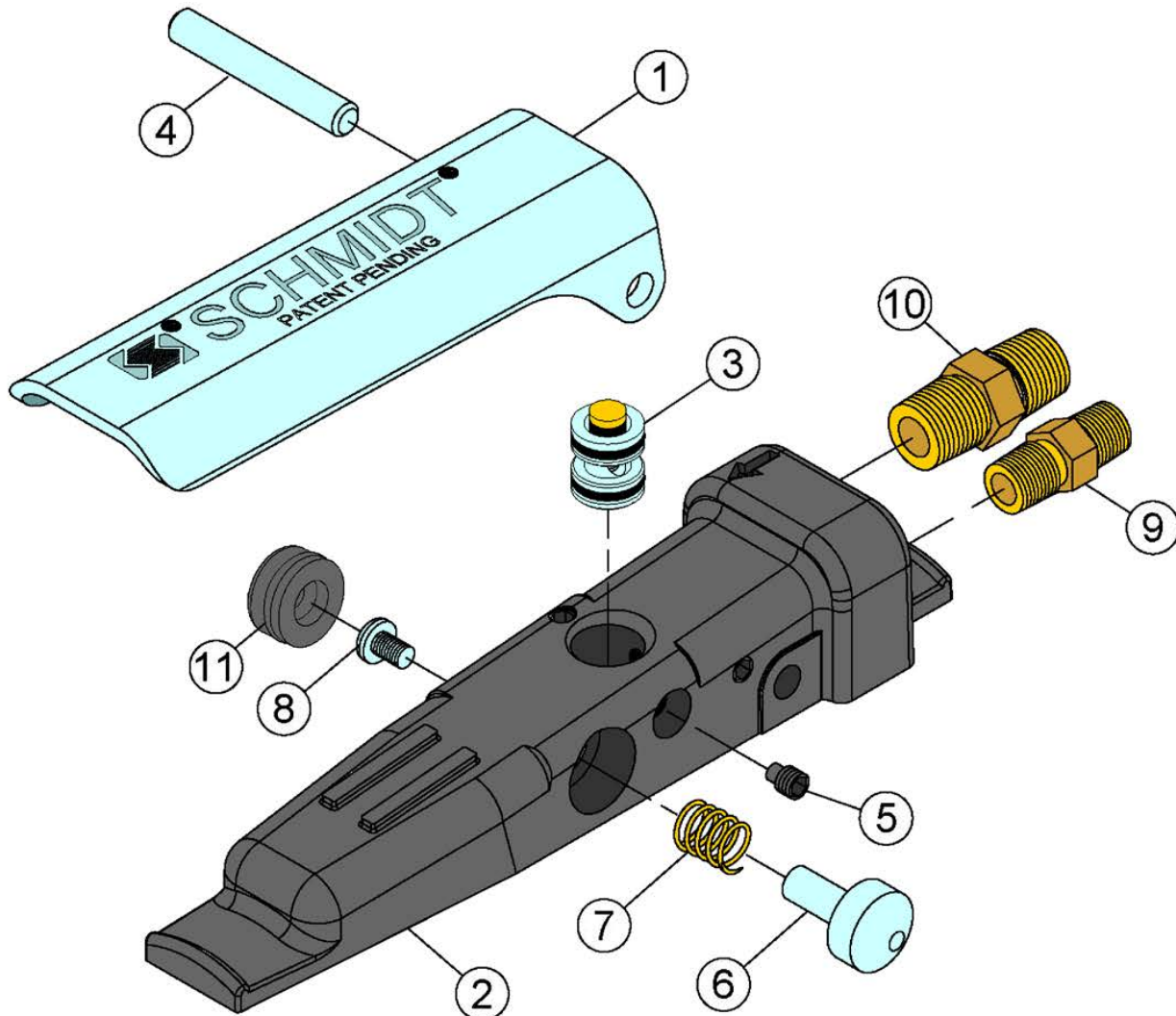


	2229-000	Pneumatic Control Valve
	2229-100	Electric Control Valve, 12 Volt D.C.
	2229-101	Electric Control Valve, 12 Volt A.C.
	2229-102	Electric Control Valve, 24 Volt D.C.
	2229-100	Electric Control Valve, 24 Volt A.C.
	2229-105	Electric Control Valve, 120 Volt A.C.
No.	Part No.	Description
	2229-000-99	Replacement Parts Kit (Pneumatic)
	2229-100-99	Replacement Parts Kit (Electric)
1.	Not Available	Air Operator Cap
2.*	2229-000-02	Plunger w/O-Rings
3.	Not Available	Valve Body
4.*	2229-000-04	Spring
5.	Not Available	Spring Retainer
6.*	2229-000-06	Filter Disk
7.*	2229-000-07	O-Ring (Large)
8.	Not Available	Screw (8)
9.	2229-000-09	Air Operator Assembly
10.*	2229-000-10	O-Ring (2 ea)
11.	Not Available	Electric Operator Cap
12.	Not Available	Coil Cover Bottom
13.	2229-100-03	Coil 12 Volt D.C.
	2229-101-03	Coil 12 Volt A.C.
	2229-102-03	Coil 24 Volt D.C.
	2229-100-03	Coil 24 Volt A.C.
	2229-105-03	Coil 120 Volt A.C.
14.	Not Available	Coil Cover
15.	Not Available	Nut
16.	2229-100-06	Solenoid Pilot Assembly, 12 Volt D.C.
	2229-101-06	Solenoid Pilot Assembly, 12 Volt A.C.
	2229-102-06	Solenoid Pilot Assembly, 24 Volt D.C.
	2229-100-06	Solenoid Pilot Assembly, 24 Volt A.C.
	2229-105-06	Solenoid Pilot Assembly, 120 Volt A.C.
17. +	2229-100-07	Gasket (Electric Only)
* Included in replacement parts kit-pneumatic		
+ Included in replacement parts kit-electric		

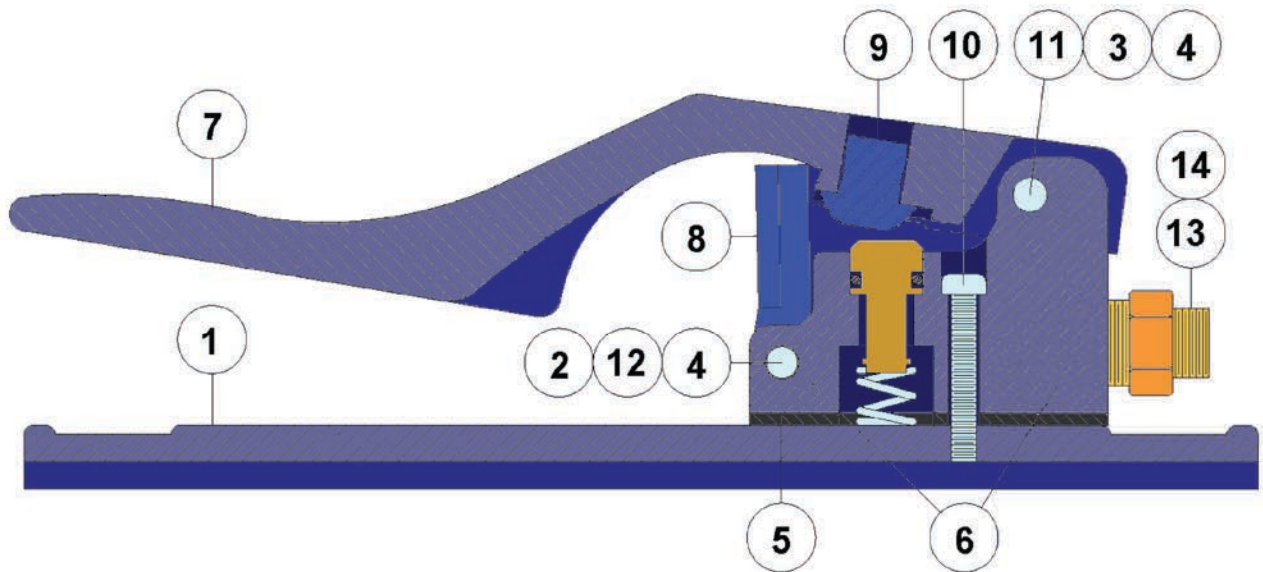
9.8(a) G2 Pneumatic Deadman

Item	Part No.	Description
	2263-002	G2 Pneumatic Deadman
	2263-002-99	G2 Replacement Parts Kit
1.	2263-002-01	G2 Deadman Lever
2.	2263-002-02	G2 Deadman Body
* 3.	2263-002-03	G2 Deadman Cartridge Assembly
4.	2263-002-04	G2 Deadman Hinge Pin
* 5.	2263-002-05	G2 Deadman Cartridge Set Screw
6.	2263-002-06	G2 Deadman Button
* 7.	2263-002-07	Deadman Spring
* 8.	2263-000-08	Deadman Screw For Button
9.	3031-300-00	Hex Nipple, 1/8" x 1/8" With Ball Seat
10.	3031-302-02	Hex Nipple, 1/4" x 1/4" With Ball Seat
* 11.	2263-002-10	G2 Deadman Dust Plug

* Items included in Replacement Kit



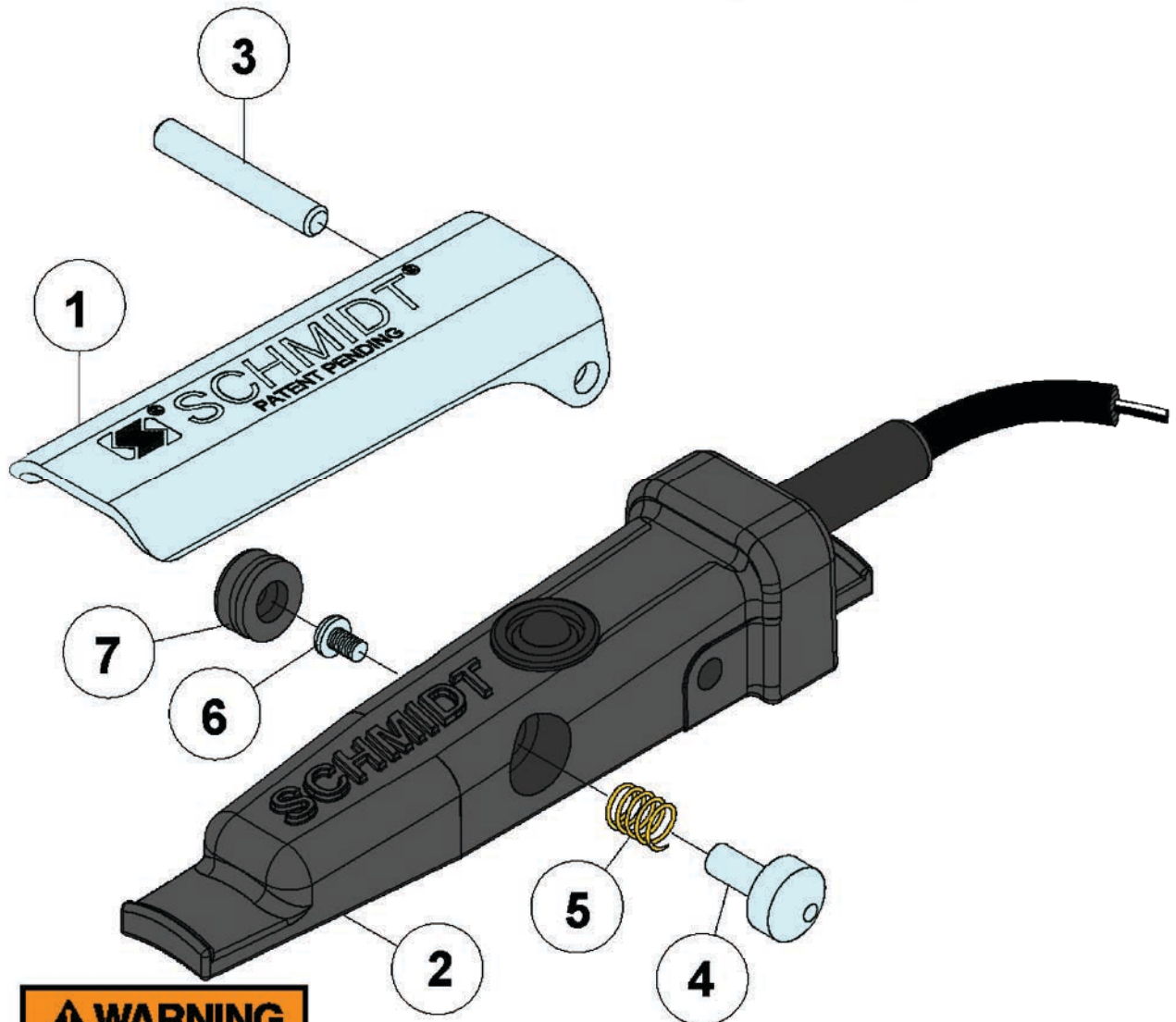
9.8(b) Deadman Valves (Pneumatic)



2263-001			Pneumatic Deadman II		
No.	Part No.	Description	No.	Part No.	Description
	2263-001-99	Replacement Parts Kit Level I	8. *	2263-001-08	Safety Flap
	2263-001-98	Replacement Parts Kit Level II	9.**	2263-001-09	Plunger Plug
1.	2263-001-01	Base	10.	2263-001-10	Body Mounting Screw
2. *	2263-001-02	Safety Flap Spring	11.	2263-001-11	Lever Spring
3. *	2263-001-03	Lever Hinge Screw	12. *	2263-001-12	Flap Hinge Screw
4.	2263-001-04	Hinge Pin Nut	13.	3031-302-00	Hex Nipple, 1/8" x 1/4"
5.**	2263-001-05	Body Gasket	14.	3031-300-00	Hex Nipple, 1/8" x 1/8"
6.**	2263-001-06	Valve Body Assembly			* Included in replacement parts kit, Level I
7.	2263-001-07	Lever			** Included in replacement parts kit, Level II

*** New G2 Electric**

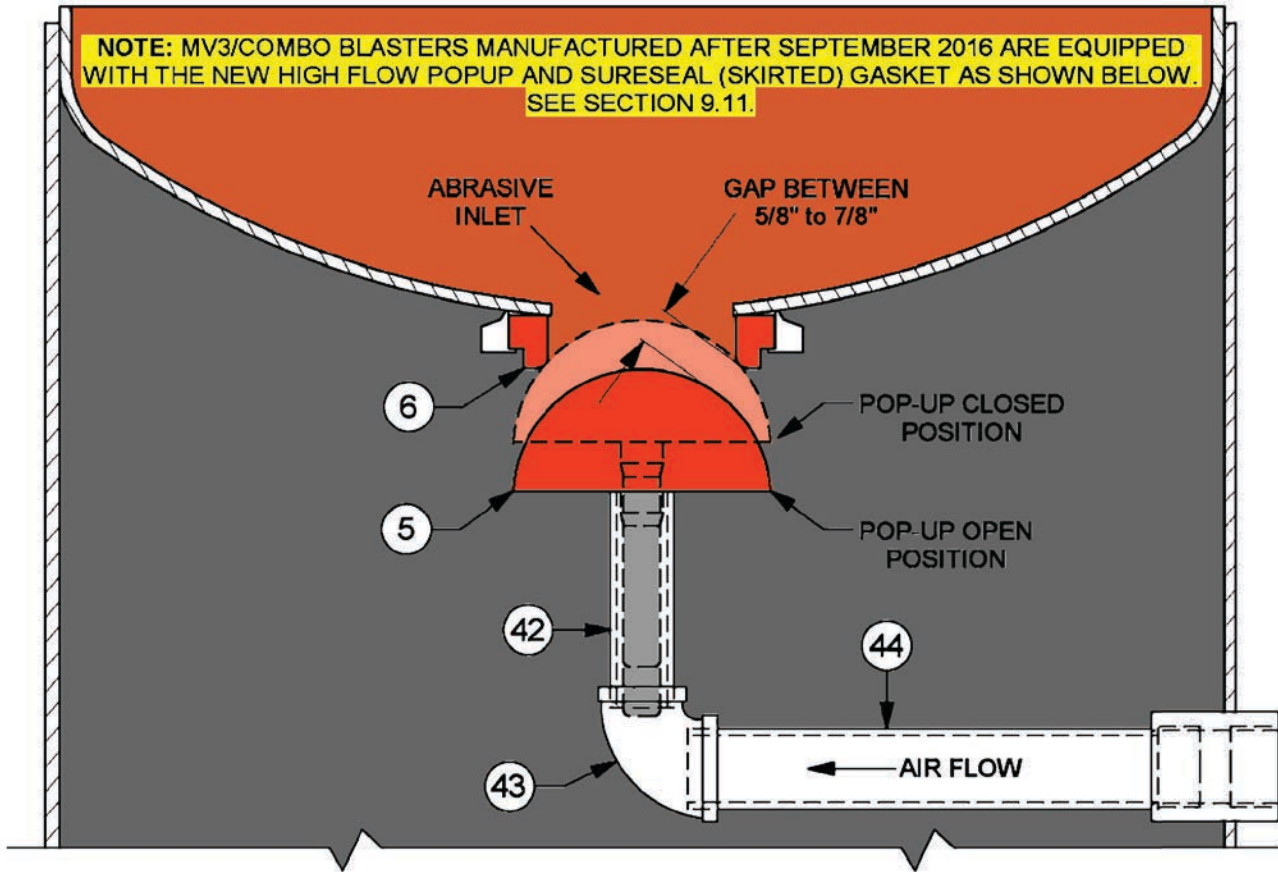
No.	Part No.	Description
	2263-402	G2 Electric Deadman
	not available	Replacement Parts Kit
1.	2263-002-01	G2 Lever
2.	not available	G2 Body w/Switch
3.	2263-002-04	G2 Hinge Pin
4.	2263-002-06	G2 Safety Button
5.	2263-002-07	G2 Spring
6.	2263-000-08	Screw for Button
7.	2263-002-10	G2 Dust Plug



⚠ WARNING

*Electric shock hazard. To minimize shock hazard use electric deadman in low voltage applications only (12-24 volts).

9.11 Pop-Up and Internal Piping



NO.	PART NO.	DESCRIPTION	VESSEL
5.	2100-000	Pop-Up Head, (1 Bag)	(1.5cu.ft.)
	2100-010	Pop-Up Head, (3 & 6 Bag)	(3.5, 6.5, 10, & 20cu.ft.)
	2100-010-04	Pop-Up Head, (3 & 6 Bag) High Flow	(3.5, 6.5, 10, & 20cu.ft. built after Sept. 2016)
6.	2100-001	Pop-Up Gasket (1 Bag)	(1.5cu.ft.)
	2100-011	Pop-Up Gasket, (3 & 6 Bag)	(3.5, 6.5, 10, & 20cu.ft.)
	2100-011-04	Pop-Up Gasket, (3 & 6 Bag) SureSeal	(3.5, 6.5, 10, & 20cu.ft. built after Sept. 2016)
* 42.	3030-005-11	Nipple TOE, 3/4" x 3" LG	(1.5cu.ft.)
	3030-006-17	Nipple TOE, 1" x 8" LG	(3.5, 6.5, & 20cu.ft.)
	3030-006-86	Nipple TOE, 1" x 7 1/2" LG	(3.5, 6.5, & 20cu.ft. built after Sept. 2016)
	3030-006-23	Nipple TOE, 1" x 13 3/4" LG	(10cu.ft.)
	3030-006-23	Nipple TOE, 1" x 13 1/4" LG	(10cu.ft. built after Sept. 2016)
43.	3010-006-05	Red. Elbow 90, 1" x 3/4"	(1.5cu.ft.)
	3010-007-06	Red. Elbow 90, 1 1/4" x 1"	(3.5, 6.5, & 10cu.ft.)
	3010-008-06	Red. Elbow 90, 1 1/2" x 1"	(20cu.ft.)
44.	3029-006-14	NIPPLE TBE, 1" x 5" LG	(1.5cu.ft.)
	3029-007-28	NIPPLE TBE, 1 1/4" x 7 1/2" LG	(3.5cu.ft.)
	3029-007-19	NIPPLE TBE, 1 1/4" x 10 1/4" LG	(6.5 & 10cu.ft.)
	3029-008-25	NIPPLE TBE, 1 1/2" x 16" LG	(20cu.ft.)

*It may be necessary to cut to length to obtain the proper pop-up gap as shown above.

9.13 Halok® Assembly

No.	Part No.	Description
	8406-000-94A	Halok Assembly
1.	8407-000-47	Halok Bearing Cover
2.	8406-000-93	Halok Button Head Cap Screw
3.	8406-000-92	Halok Bearing
4.	8406-000-94	Halok Interlock Plate
5.	7028-503	Lockwasher 3/8"
6.	7119-010	Spring Pin, 1/4" x 1" Lg.
7.	7017-507	Hex Nut 3/8" UNC
8.	8406-000-90	Halok Hub Base
9.	8406-000-91	Halok Ball Nose Spring Plunger
10.	8408-000-81	Camlock Handle Extension
*11.	7007-519	Closure Assembly, 10' 5-Lug

No.	Part No.	Description
12.	8408-000-80	Halok Bumper
13.	7007-519-02	Camlock Assembly, 10' 5-Lug
	8408-000-82	Halok Lockout Assembly (Optional)
*14.	8408-000-82A	Halok Lockout Retrofit Plate
*15.	7021-503-09	J-Bolt, 1/4" UNC x 2" Lg
*16.	7027-502-01	Flat Washer, 1/4"
*17.	7019-503	Nylock Nut, 1/4" UNC
*18.	7010-507-05	Bolt, Hex 3/8" UNC x 3/4" Lg
*19.	7019-507	Nylock Nut, 3/8" UNC
*20.	8408-000-79B	Halok Lockout Plate

* Not Included with Halok Assembly

